

StaticSmart™

Hurricane 300

Ionizing Air Blower

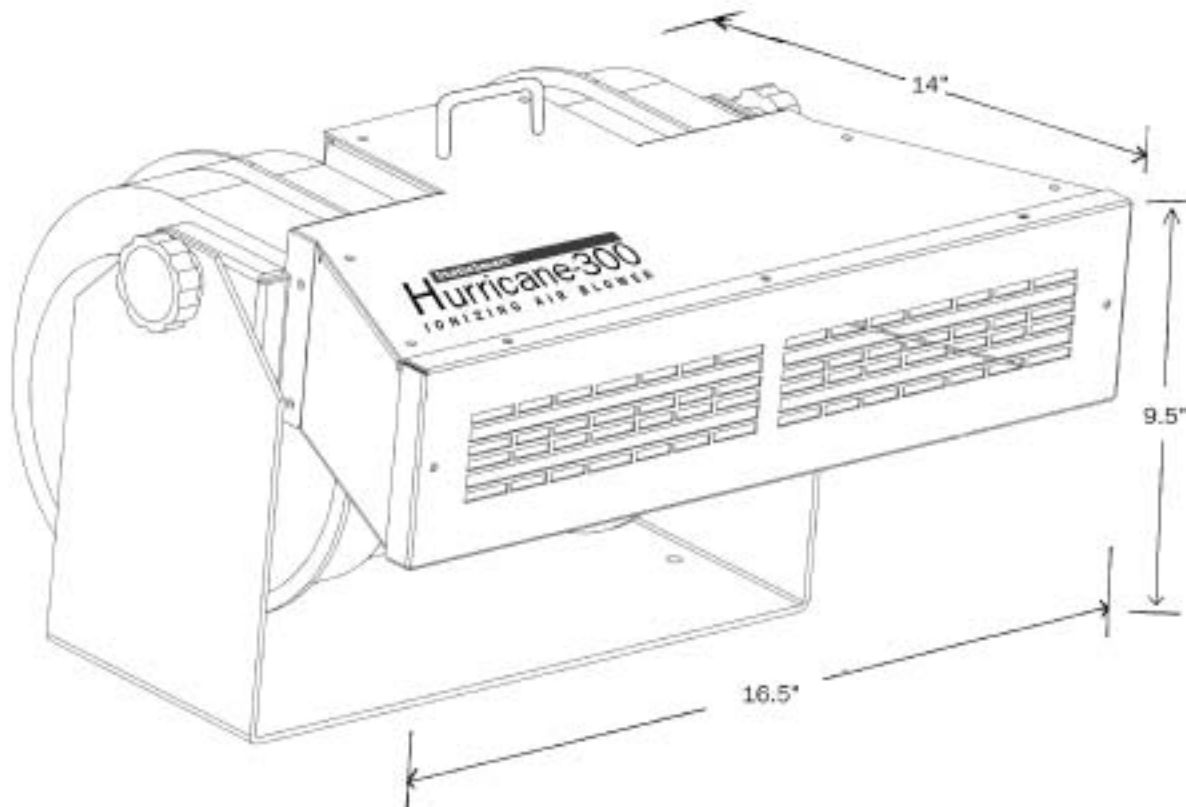
This extended range ionizing blower is designed to effectively and efficiently cover a wide area (up to 10' away) with a high-output stream of ionized air.

Features:

- Appropriate for benchtop or industrial overhead applications
- Indicator to provide visual verification of operation
- Variable fan speed control
- Easily replaceable filters
- Optional floorstand for flexible positioning

Specifications

Power Requirements:	120 V, 60 Hz
	2.0 Amp (fan speed high)
Size	16 ³ / ₈ "w x 9 ³ / ₄ "h x 13 ³ / ₄ "d
Weight	18.2 lbs.
Air Volume Output	Variable; 110–300 cfm
Effective Coverage	2' x 10' area
Discharge Time	0.5 seconds at 1'; fan speed high (decay 5000 V to 500 V, 20 pf plate)



Julie Industries
StaticSmart™ Solutions
www.julieindustries.com

355 Middlesex Avenue
 Wilmington, MA 01887
 Tel: 978-988-8802
 Fax: 978-988-8803